

# TAMKO® TW UNDERLAYMENT

## Self-Adhering Underlayment

PRODUCT DATA

### DESCRIPTION

TAMKO® TW UNDERLAYMENT is a flexible, self-adhering rubberized asphalt sheet membrane with a polymer film on the surface and a removable treated release film on the adhesive side.

### USES

TAMKO TW UNDERLAYMENT is well suited for use as an underlayment where prevention of water penetration is required including metal roofs. TW Underlayment also provides secondary protection against water penetration after installation of a metal roof system. When fasteners penetrate the TW Underlayment membrane during installation, the metal roof system manufacturer's recommendations should be followed to assure watertight integrity at the fastener penetrations.

### ADVANTAGES

- Textured surface provides enhanced skid resistance.
- Adheres to cast-in-place concrete, pre-cast concrete masonry block, exterior gypsum sheathing, plywood, OSB, DensGlass®, DensGlass Gold®, felt-faced and foil-faced polyisocyanurate foam insulation\*, wood or metal surfaces.
- Treated release film for easier installation.
- High temperature resistance up to 245° F.
- Can be left exposed for up to 90 days before application of finished roof.
- ICC-ES ESR-1252
- Florida Building Code Approval # FL 3664

\*TAMKO recommends if the low expected temperature average for the scheduled application period is 65°F or lower TW Underlayment Winter Grade should be used.

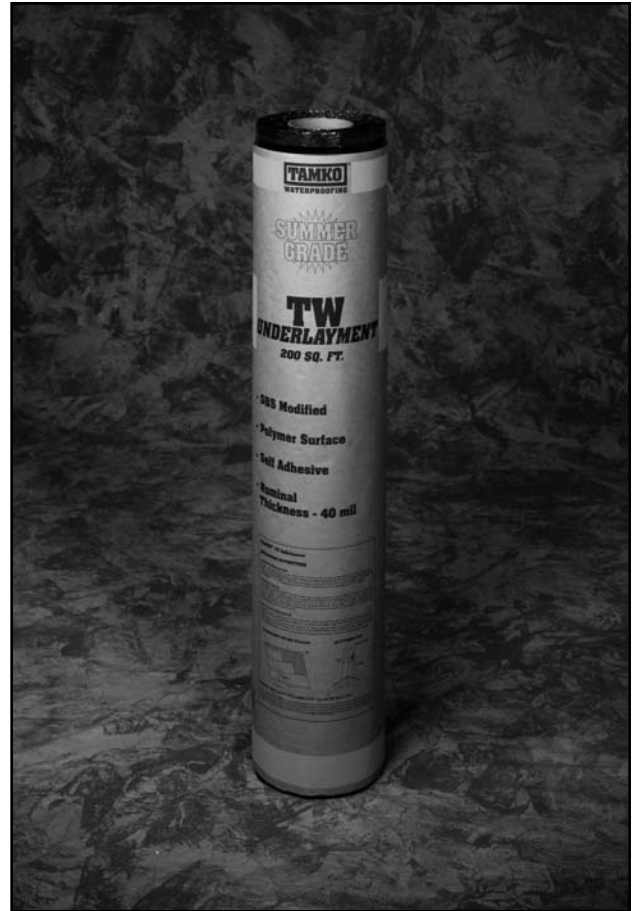
### LIMITATIONS

- Membrane or primer should not be applied to damp, frosty or contaminated surfaces.
- Membrane should not come into contact with products containing coal-tar pitch.
- Best applied at temperatures of 40° F and higher.

### PRODUCT DATA\*\*

	<b>2 Square</b>
Roll Size	200 sq. ft.
Roll Dimensions	39-3/8" x 61'
Thickness	40 mil
Rolls Per Pallet	
48" x 36"	24 rolls

\*\*All values stated as nominal.



### TYPICAL PHYSICAL PROPERTIES

Property	Test Method	Typical Value
Adhesion to Plywood	ASTM D 903	9.0 lbf/in width
Moisture Vapor Permeability	ASTM E 96 (BW)	0.05 perms (max)
Maximum Load	ASTM D 1970	20 lbf/in
Elongation Modified Bitumin Portion	ASTM D 1970	125%
Tear Resistance	ASTM D 1970	35 lbf
Low Temperature Flexibility	ASTM D 1970 (modified) <sup>1</sup>	-15° F

<sup>1</sup> Testing done using procedures in ASTM D 1970 with adhesive side away from the mandrel.

**CAUTION:** The National Institute for Occupational Safety and Health (NIOSH) has concluded that fumes of heated asphalt are a potential occupational carcinogen. Do not burn this product.

www.tamko.com

Corporate	220 West 4th Street, Joplin, Missouri 64801	800-641-4691
Central District	220 West 4th Street, Joplin, Missouri 64801	800-641-4691
Northeast District	4500 Tamko Drive, Frederick, Maryland 21701	800-368-2055
Southeast District	2300 35th Street, Tuscaloosa, Alabama 35401	800-228-2656
Southwest District	7910 South Central Expressway, Dallas, Texas 75216	800-443-1834
Western District	5300 East 43rd Avenue, Denver, Colorado 80216	800-530-8868

**TAMKO®**  
**WATERPROOFING**

# TAMKO® TW Underlayment

## APPLICATION INSTRUCTIONS

### SURFACE PREPARATION

To begin, remove any dust, dirt, loose nails or other protrusions from the deck of new roofs. Remove all shingles, roofing felt, nails, or other existing roofing materials and debris from the deck of existing roofs. Sweep thoroughly to remove any dust and dirt. For best application, apply TW UNDERLAYMENT only in fair weather and when air, substrate, and membrane are at temperatures of 40° F or higher.

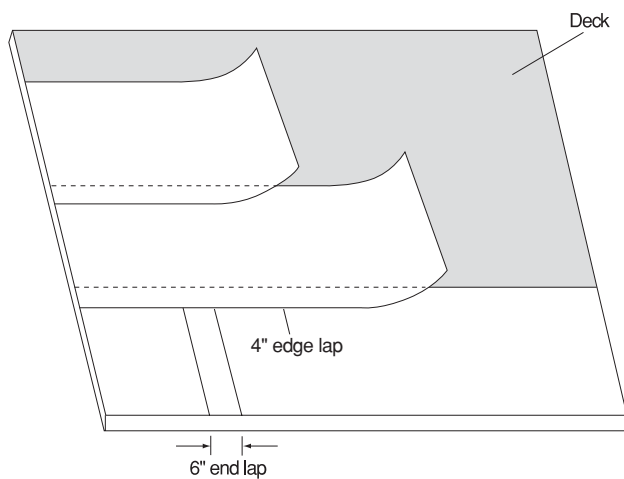
### FOR ROOF DECKS

Apply TAMKO TW UNDERLAYMENT from low to high point in shingle fashion as shown below, so that laps will shed water. Overlap edge seams 4". End seams should be overlapped 6" and staggered. For application: Unroll and cut the membrane into 10-to 15-foot lengths. Align the membrane. Peel off 6" to 12" of release film from one end and adhere that portion of the membrane using a heavy hand pressure. Broom in the remaining membrane, using a heavy to medium bristle broom, while removing the release film. Utilize sufficient pressure with the broom to promote adhesion to the substrate. Care should be taken not to damage the membrane when brooming.

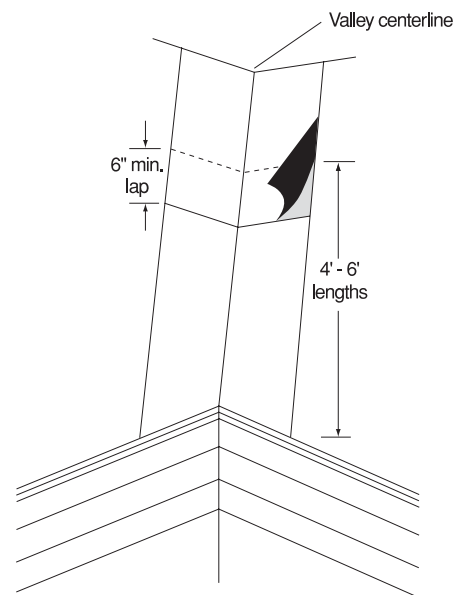
### FOR VALLEYS AND RIDGES

Cut membrane into 4- to 6-foot lengths. Peel the release film, center and drape the sheet over the valley or ridge as appropriate. Adhere the sheet by hand, pressing and working from the center of the valley or ridge outward in each direction, then broom the sheet into place to promote the adherence to the substrate. For valleys, apply the membrane starting at the lowest point and work upward. Overlap all sheets a minimum of 6 inches. The TW UNDERLAYMENT should be used on "closed valley" applications only. TW UNDERLAYMENT should not be left permanently exposed to the weather. It must be covered by roofing materials.

#### TW UNDERLAYMENT FIELD APPLICATION



#### VALLEY FLASHING DETAIL



### PROVIDE VENTILATION WHEN USING OVER THE ENTIRE ROOF DECK

When using TW UNDERLAYMENT over the entire roof deck the roof must include a system to provide adequate ventilation for all space immediately below the roof deck. Such ventilation system should be designed in accordance with architectural design standards appropriate to the size, nature and location of the structure and should include both ridge and soffit venting. For further information on providing adequate ventilation contact your architect, building contractor, building materials supplier or TAMKO.

### VERTICAL APPLICATION

TAMKO TW UNDERLAYMENT may be applied with the long dimension of the roll running parallel to the roof slope in situations where the roof slope equals or exceeds 21 inches per foot. In these applications, side lap width must be increased to 6 inches, and all side and end laps must be rolled with a roofing seam roller in addition to brooming the entire surface.